

How data is stored on a floppy:

Tracks

Has non magnetized area between tracks..

Sectors

Bytes per sector

Clusters

Number of heads

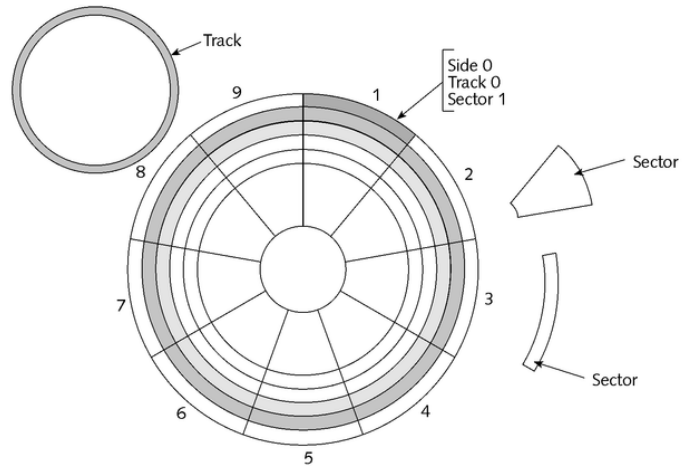


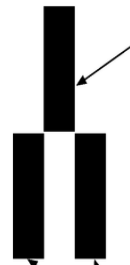
Figure 5-2 3 1/2-inch double-density floppy disk showing tracks and sectors

What is a floppy?

Mylar coated with rust?

Common sizes

- 2.88MB 80tracks, 36 sectors, 2sectors per cluster
- 1.44MB 80 tracks, 18 sectors, 1 sector per cluster
- 720KB 80 tracks, 9 clusters, 2 sectors per cluster



Formatting a disk.

My Computer, right click on icon for floppy and select format.

The FAT and how it manages the clusters

The ROOT directory.

224 files

The MBR

Bytes per sector, Sectors per cluster, Number of FATs, Size of the root directory
 Number of sectors, Medium descriptor byte, Size of the FAT
 Sectors per track, Number of heads, Number of hidden sectors
 Program to load OS

Changing a floppy drive

The data cable, and its twist.

34 pins

How do you know if the data cable is backwards?

Two sizes for storage devices

5 ¼

3 ½

Chapter 8 -- Hard Drives

Tracks and cylinders, what is the difference?

IDE technology

Controller board on HD

40 pin cable

Formatting

Low level

Zone bit recording

High Level

EIDE

IDE or ATA 528MB
No CD-ROM or other IDE device
8.3 MB/sec

EIDE or ATA-2 or FAST ATA
16.6 MB/sec

DMA/33 , UltraDMA, Fast DMA-2, Ultra ATA
33.3 MB/sec
Uses a DMA

DMA/66 or ATA 66
66.6MB/sec
Special cable required.
Do not mix with non ATA66 devices

DMA/100 or ATA100
99.9 MB/sec

DMA/133
133.3 MB/sec, support partitions larger than 137GB

SATA
150MB/sec to start, hot swappable, simple connector.

Measuring Disk speed.

Access time & RPMs

SCSI

A internal/external BUS

SCSI
5 MB/sec
8 devices

SCSI-2 (FAST)
10 MB/Sec narrow or 20MB/Sec wide

SCSI 3 (ULTRA)
Plug and Play
Up to 160

How are SCSI devices plugged in